

MISER-THERM™

Commercial Insulated Steel Doors
Models CMT-610, CMT-616, CMT-680, and CMT-690

MISER-THERM
5
YEAR
WARRANTY



Haas Door's MISER-THERM™ commercial insulated sectional doors have the strength of steel construction — combined with the energy efficiency of a polyurethane core.

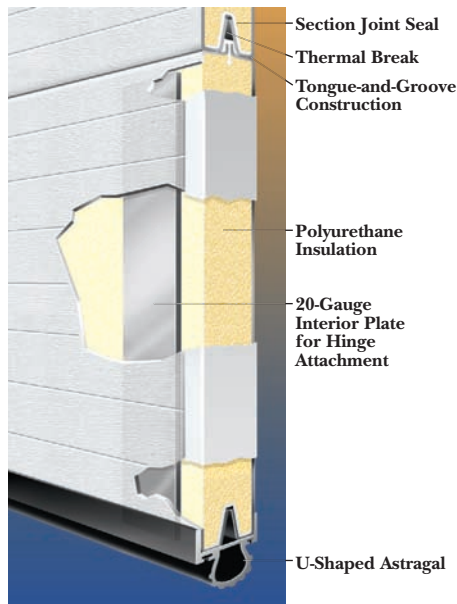


MISER-THERM™

COMMERCIAL INSULATED STEEL DOORS

Strong, Efficient, and Attractive

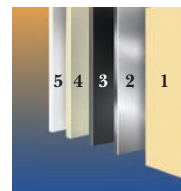
When your major considerations include maximum energy efficiency, sound transmission, and aesthetics, Haas Door's MISER-THERM™ commercial insulated steel doors will far exceed your expectations. These CFC-free, polyurethane-foam-injected steel doors offer exceptional benefits for commercial applications.



Our doors are reinforced with roll-formed galvanized steel struts and double-end hinges, as required to meet windload specifications and to comply with ANSI A216.1 and NAGDM 102-1988.

Unique Paint System

Our three-tier, corrosion-resistant protective paint system is designed to resist even the most hostile weather conditions. The protective layers found on both the interior and exterior are:

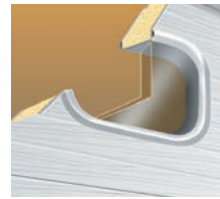


- 1 Injected polyurethane foam
- 2 Steel
- 3 Galvanizing
- 4 Epoxy primer
- 5 Polyester finish coat

Hard-Working Hardware

The track is 2 or 3" galvanized steel, depending on door size, with bracket mount for wood jambs or continuous reverse mounting for steel jambs. For

Window Options



Double-Wall
1/2" Tempered Glass

angle-mount track, door widths are 2" wider than opening. Track rollers are 2 or 3" case-hardened inner and outer steel races with 10-ball, prelubricated bearings. Hinges, brackets, and reinforced struts are hot-dipped galvanized steel, and fasteners are plated for maximum corrosion resistance.

Counterbalancing springs are torsion type, computer calibrated to match door load. This provides a 10,000 cycle life at the minimum; optional spring wires can achieve 25,000, 50,000, and 100,000 cycle requirements. Springs are wound from oil-tempered wire and mounted on a continuous cross header tube or solid shaft, as determined by torque load.

You can contact Haas Door or one of our professional dealers for information on additional options, including exterior cylinder locks, chain hoist operation, safety bottom brackets, and special lift clearance tracks (high lift, vertical lift, low headroom, and those that follow the roof line).

Energy Efficiency

These 1-3/8"-thick doors have a calculated R-Value of 13.45. MISER-THERM™ doors use rigid vinyl extrusions with positive thermal breaks to eliminate metal-to-metal contact, which limits temperature transfer. Tongue-and-groove construction and section joint seals at meeting rails provide water and wind resistance.

A full-length, one-piece vinyl astragal retainer and flexible vinyl U-shaped weatherstrip prevent infiltration of air, rain, snow, and debris. The seal fits to irregular or unlevel floors and reduces impact shocks when the door is closed against concrete flooring.

Exceptional Strength

MISER-THERM™ doors are built strong. High-density CFC-free polyurethane foam expands and adheres to the interior and exterior steel panels to provide a rigid unitized structure.



Quick Reference Chart

Model	Exterior Design	Interior Design	Thickness	Exterior Gauge	Interior Gauge	Calculated U-Value	R-Value	Prefinished	Steel End Stiles
CMT-610	Flush wood-grain texture	Grooved wood-grain texture	1-3/8"	26	26	.074	13.45	White/Brown/Almond/Sandstone	Optional
CMT-616	Grooved wood-grain texture	Grooved wood-grain texture	1-3/8"	26	26	.074	13.45	White/Brown/Almond/Sandstone	Standard

Optional exterior designs of CMT-610 include CMT-680 with an embossed wood-grain texture and CMT-690 with a sculptured wood-grain texture



320 Sycamore
Wauseon, OH 43567
www.haasdoor.com

Your Professional Haas Door Dealer: